

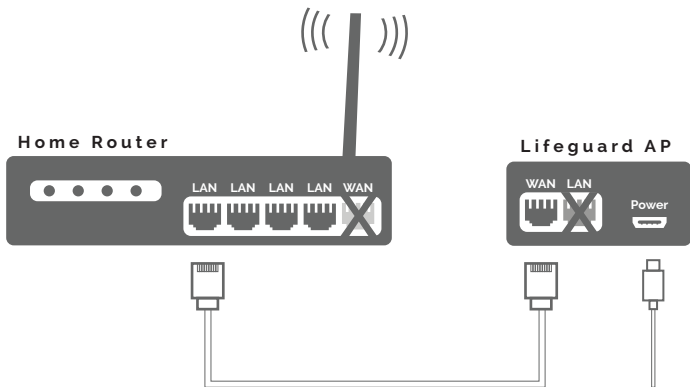


Lifeguard Wireless Access Point

Safe Family Internet for everyone



Cable & Power Lifeguard AP



1

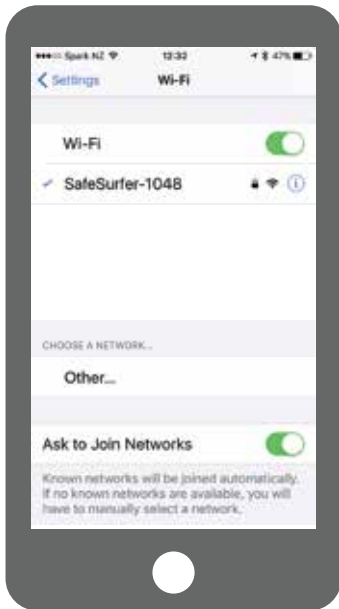
Connect the supplied Ethernet Cable from your **Home Router LAN** Port to the **Lifeguard WAN** Port.

2

Using supplied MICRO USB and Power adaptor, power up the Lifeguard Access Point (AP).



Connect your devices to Lifeguard AP



3

Connect your devices to the Safe Surfer Wireless Access Point (Lifeguard).

SSID: **SafeSurfer-0000**

PASSWORD: **goodlife**

Any device connected to Safe Surfer Lifeguard AP is now protected from adult and objectional material.



Register your Lifeguard AP

A screenshot of a web browser window. The address bar shows the URL `http://mydevice.safesurfer.co.nz`. The page content includes two input fields: one for "Email:" and one for "Password:". Below these fields is a dark grey button with the text "Register Lifeguard" in white.

4

Once connected to the Lifeguard AP, use your favourite web browser to **go to `http://mydevice.safesurfer.co.nz`** (or `http://192.168.8.1`) and complete the registration process by entering your email address and password.